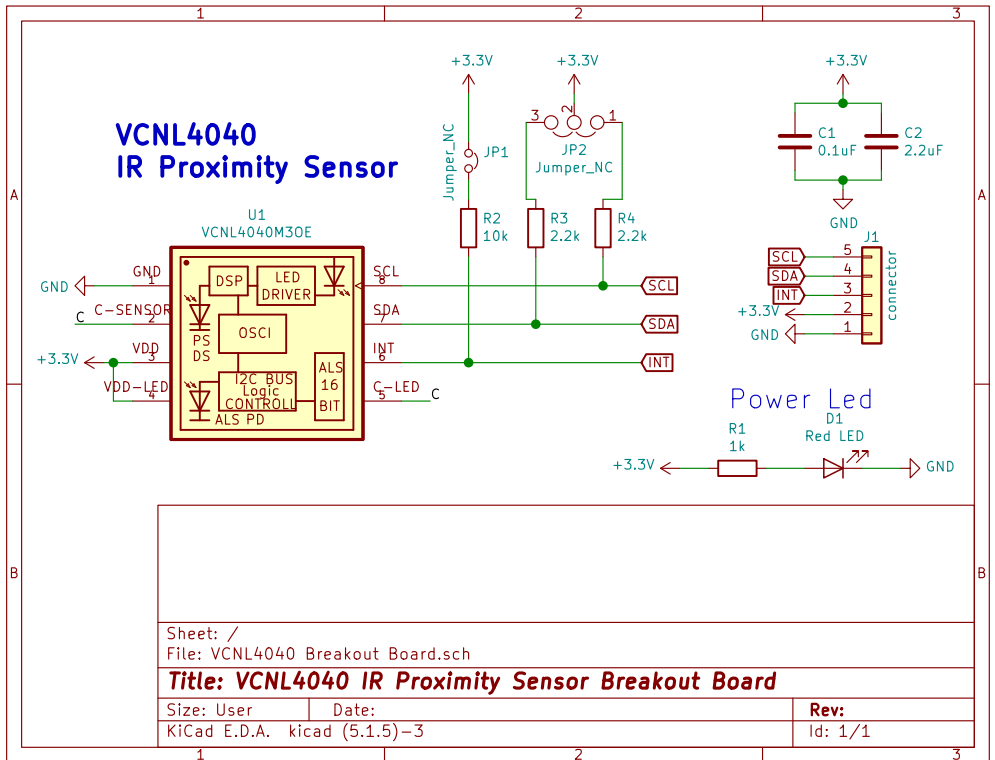


VCNL4040 IR Proximity Sensor



Sheet: /
File: VCNL4040 Breakout Board.sch

Title: VCNL4040 IR Proximity Sensor Breakout Board

Size: User Date:

KiCad E.D.A. kicad (5.1.5)-3

Rev:

Id: 1/1